



Euroline ES Precision Centre Lathes

The Meyer Euro Line range of precision metal lathes are of robust construction and are designed and manufactured in Europe using high-quality materials and stringent quality control procedures.

The ER and ES models span a range from a small tool room lathe with a 325mm swing over bed and 500mm between centres, up to a 600mm swing over bed with 5 metres between centres.

All models come with thread cutting as standard, covering a large range of metric, imperial, module, and diametric pitches. Many models can also be supplied with an optional infinitely variable speed configuration, featuring a number of sub-ranges.



ES 500

Machine Features

- High quality European built machines
- Rigid build enables high chip removal
- All gear and spindle parts use high-capacity, resistant steel
- Gap bed design
- Four position square toolpost
- Chuck guard with interlock switch
- Lead screw guard

Optional Equipment

- 2 or 3 axis digital read out
- Thread dial indicator
- Quick change tool post 3 and 4 jaw chucks
- Face plate Fixed steady
- Follow rest

TECHNICAL SPECIFICATIONS

ES 440/1000
ES 440/1500
ES 440/2000
ES 440/3000
ES 440/4000
ES 440/5000

ES 500/1000
ES 500/1500
ES 500/2000
ES 500/3000
ES 500/4000
ES 500/5000

ES 580/1000
ES 580/1500
ES 580/2000
ES 580/3000
ES 580/4000
ES 580/5000

ES 600/1000
ES 600/1500
ES 600/2000
ES 600/3000
ES 600/4000
ES 600/5000

Capacities

Height of centres	mm	220	250	290	300
Swing over Bed	mm	440	500	580	600
Swing over cross slide	mm	240	300	380	400
Swing in gap*	mm	640	700	780	800
Width of bed	mm	400			
Distance between Centres	mm	1000 - 1500 - 2000 - 3000 - 4000 - 5000			

Spindle

Spindle nose DIN 55027	No	8		
Spindle bore	mm	80		
Spindle taper	Metric	80		

Headstock

Number of spindle speeds	-	21		
Spindle speed ranges	rpm	20 - 2000		
Main motor power	kW	7.5 (11)		

Feeds

Number of feeds	-	120		
Longitudinal feed range	mm/rev	0.04 - 12		
Cross feed range	mm/rev	0.02 - 6		

Threads

Number of threads	-	64 of each kind		
Metric thread range	mm	0.5 - 120		
Inch thread range	Tpi	60 - 1/4		
Module thread range	Module	0.125 - 30		
DP thread range	DP	240 - 1		

Carriage

Cross slide travel	mm	315		
Top slide travel	mm	130		

Tailstock

Quill diameter	mm	90		
Quill taper	Morse	No.5		
Quill travel	mm	230		

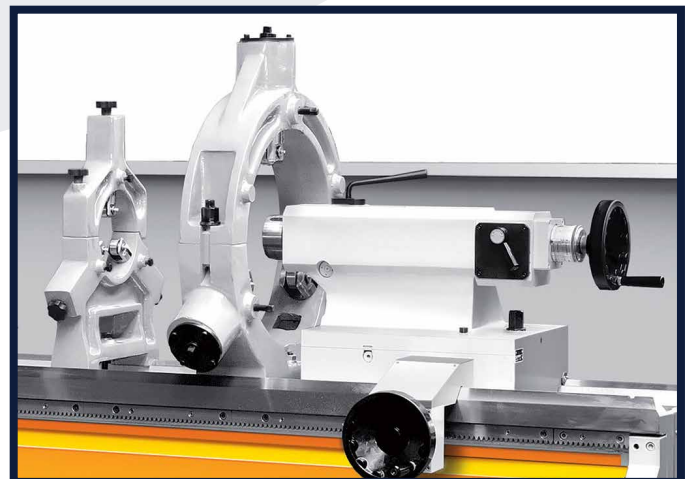
Dimensions

Length	mm	2900 - 6900	2900 - 6900	2900 - 6900	2900 - 6900
Width	mm	1100	1100	1100	1100
Height	mm	1700	1700	1800	1800
Weight	kg	2900 - 4120	2950 - 4200	3010 - 4270	3110 - 4320

* With option machine bed gap



TAILSTOCK



4 JAW CHUCK