

SELMACHTM
MACHINERY

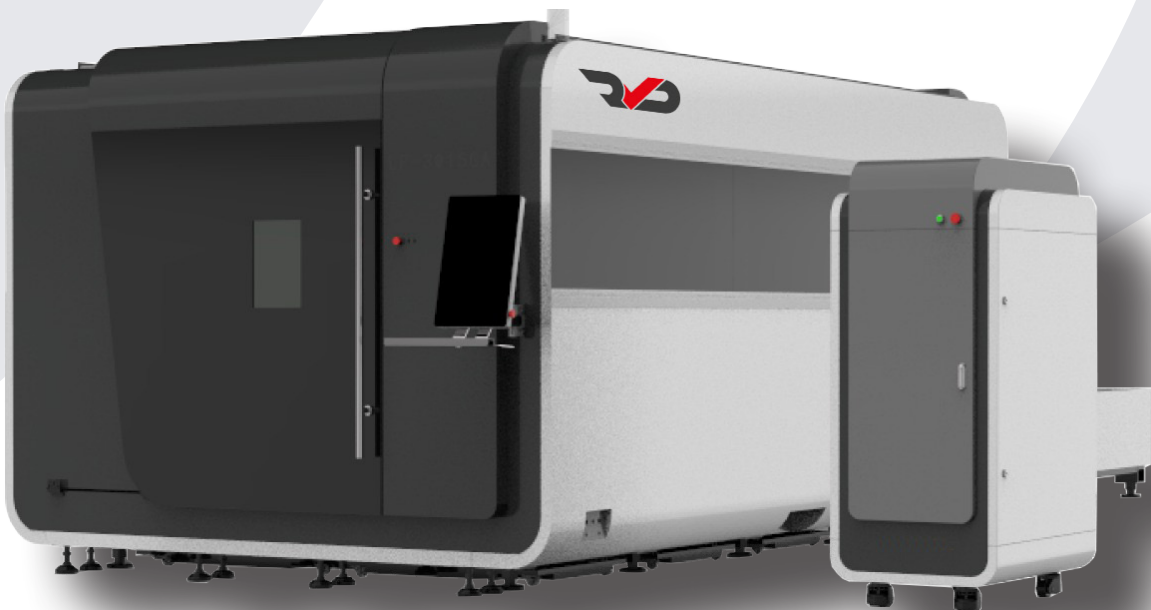
Making Metal Work



PR SmartFibre CNC Laser

The RVD precision laser cutting machine include both compact models in small bed sizes as well as fully automated models with shuttle tables for production cutting.

The RVD PR Laser is a great entry-level machine, manufactured using the world's leading mechanical and electrical components to maximise production but also to minimise downtime due to part failure. The RVD laser has a full enclosure design meeting CE standards resulting in radiation safe production. High precision motors and heavy duty driving systems ensure reliability, cutting accuracy and consistency.





RAYTOOLS AUTO-FOCUS HEAD

Machine Features

- Shuttle Exchange Table
- RayTools Auto focusing cutting head
- Full radiation protection enclosure
- Gantry system run on heavy duty linear rails with quality servo motor
- Removable draw system for small part removal and scrap clearing
- Segmented Smoke Extraction
- Max Photonics Laser Source
- Cypcut Cutting Software

Optional Equipment

- Precitec Cutting Head
- IPG YLR laser source: A world leading brand manufactured in the USA



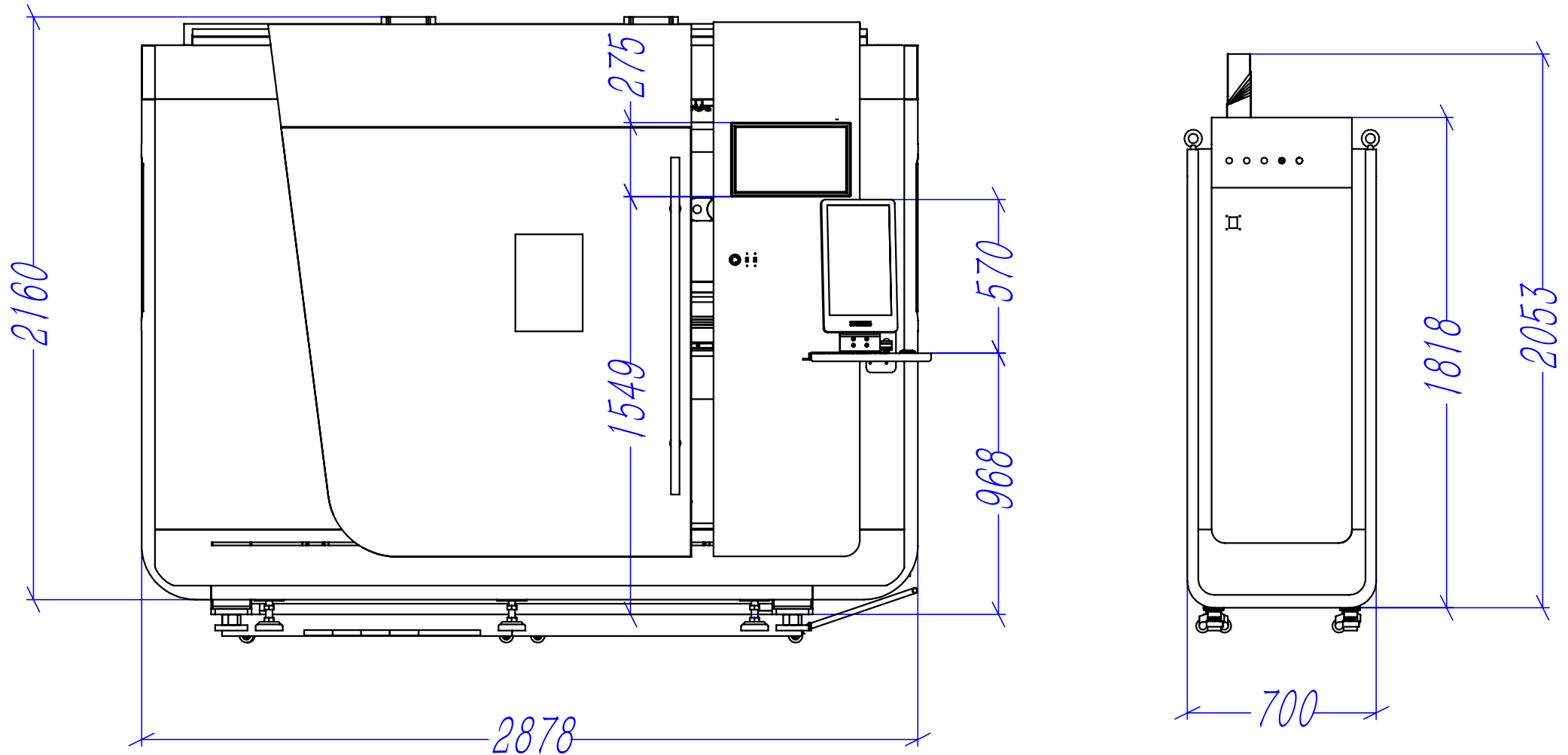
INTUITIVE CONTROL SYSTEM

FIBRE LASER POWER - CUTTING CAPACITIES						
Material	Gas	Capacity	3kW	4kW	6kW	12kW
Mild Steel	O ²	mm	18	20	25	35
Stainless Steel	N ²	mm	10	12	16	35
Aluminium	O ²	mm	8	12	16	35

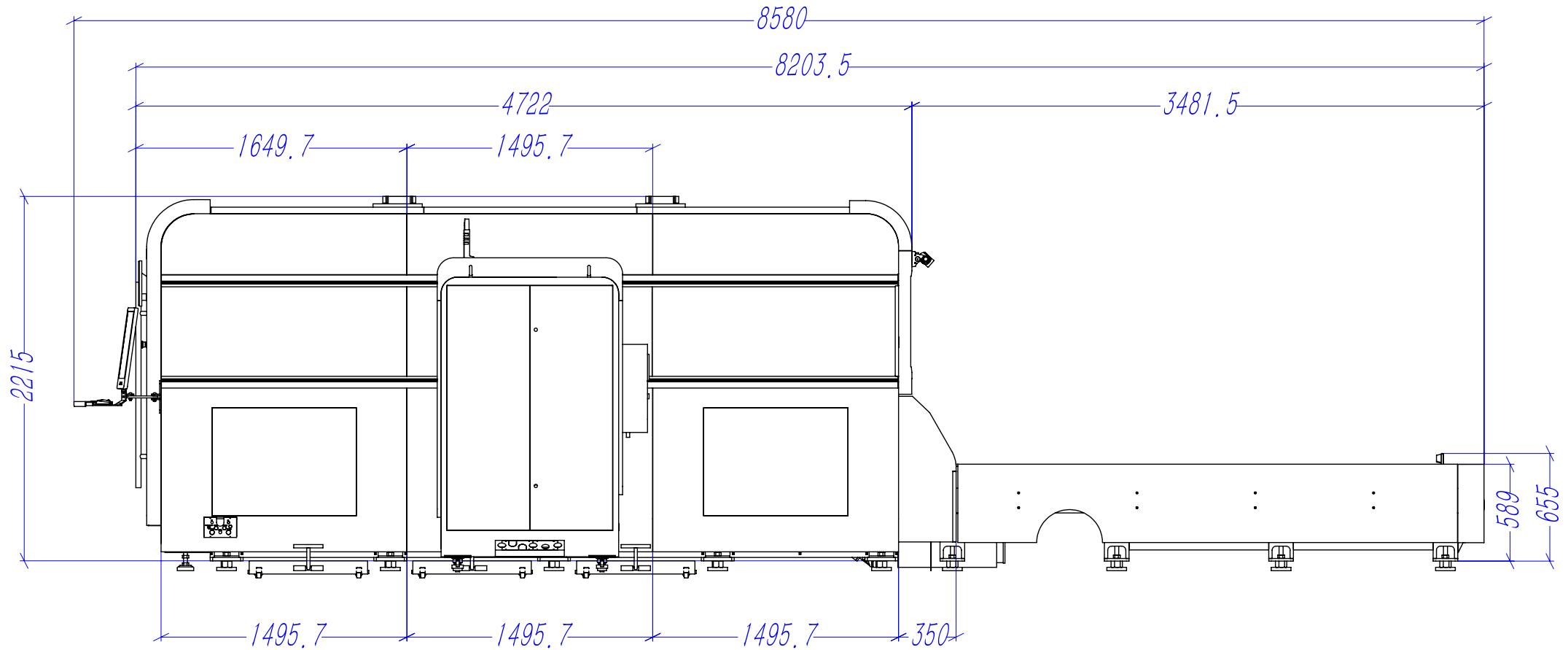
TECHNICAL SPECIFICATIONS

MODEL	Capacity	3015	4020	6025
Laser Power	kW	3-12kW	3-12kW	3-12kW
Laser Source		Max Photonics / IPG YLR		
Processing Surface (L x W)	mm	3000 x 1500	4000 x 2000	6000 x 2500
CNC Control		CypCut		
Laser Head		RayTools Switzerland		
Power Supply	V	415 (3 phase)		
Position Accuracy X, Y and Z Axis	mm	±0.03mm		
Repeat Position Accuracy X, Y and Z Axis	mm	±0.02mm		
Maximum Position Speed of X and Y Axis	mm/min	100		
Maximum Cutting Speed of X, Y and Z Axis	mm/min	80		
Maximum Acceleration	G	1.2g		
Max Load of Table	kg	800	800	800
Length	mm	8,785	10,750	15,000
Width	mm	2,280	3,350	4,018
Height	mm	2,429	2,429	2,429
Weight	kg	5,500	10,000	15,000

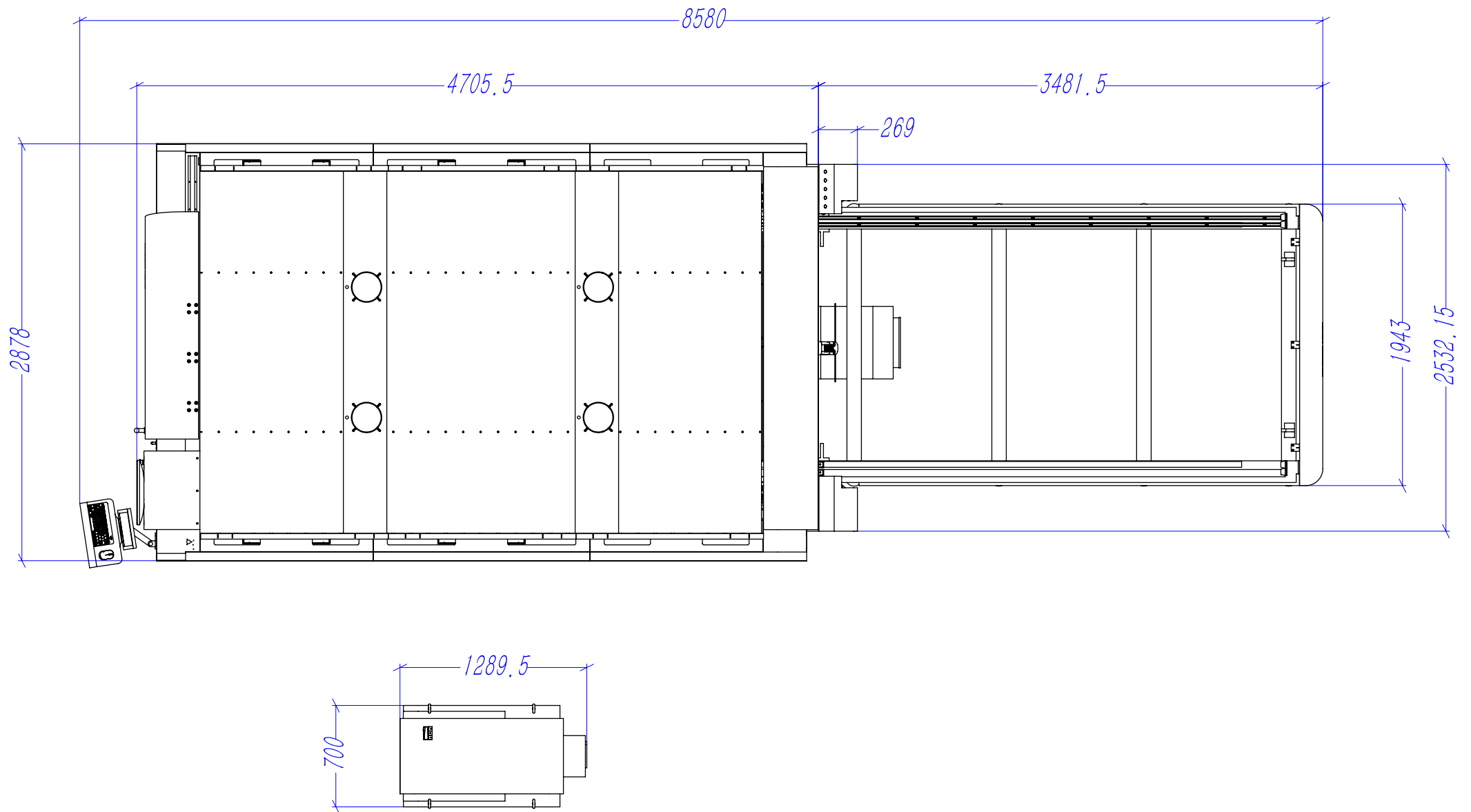
FLOORPLANS - FRONT VIEW (3M X 1.5M)



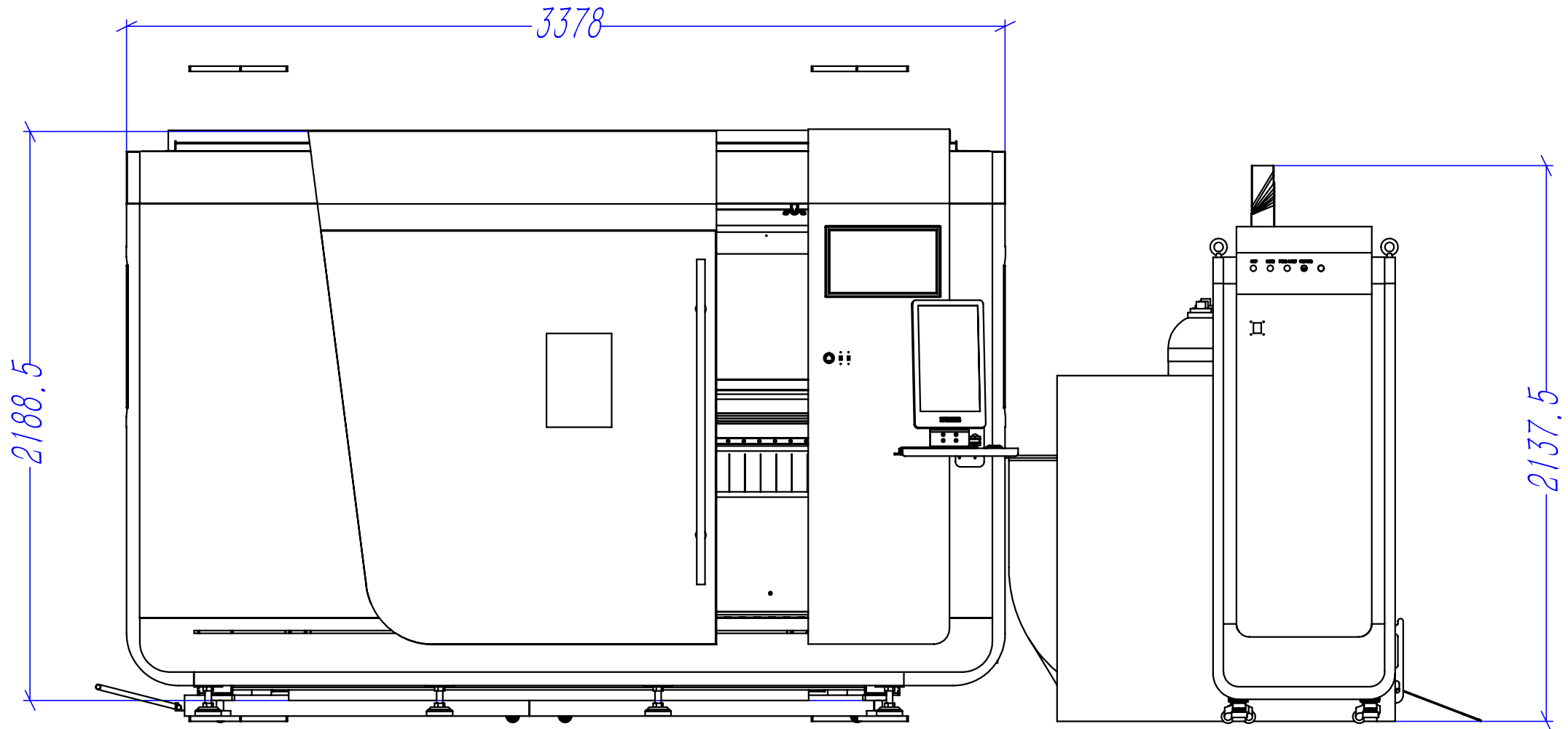
FLOORPLANS - SIDE VIEW (3M X 1.5M)



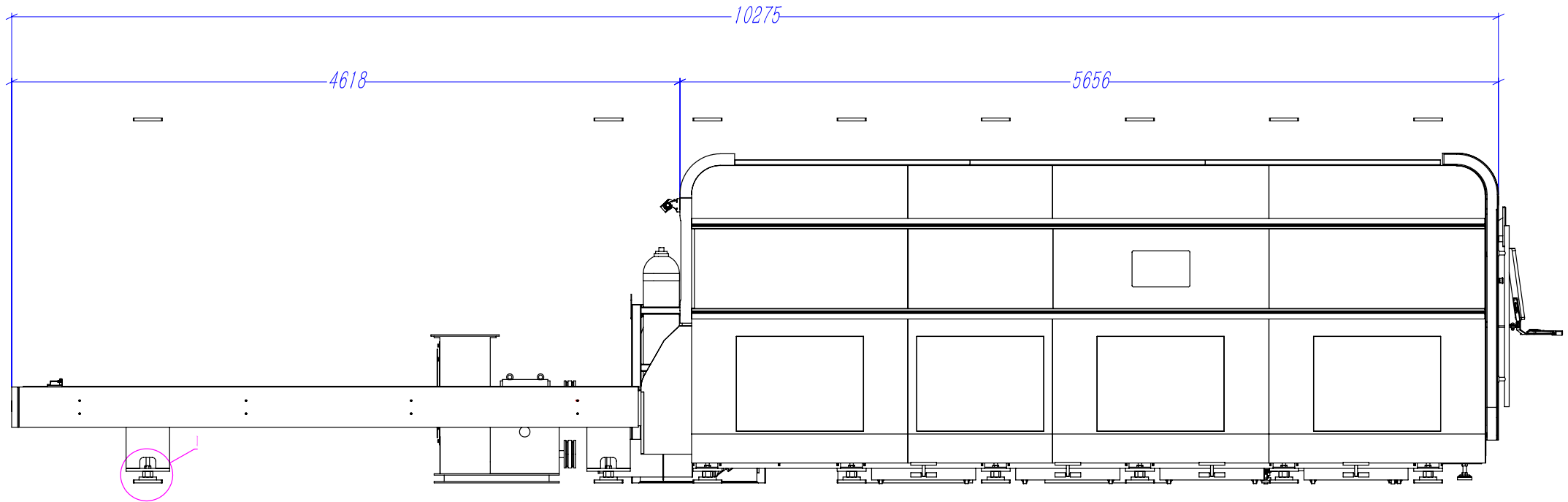
FLOORPLANS - TOP DOWN VIEW (3M X 1.5M)



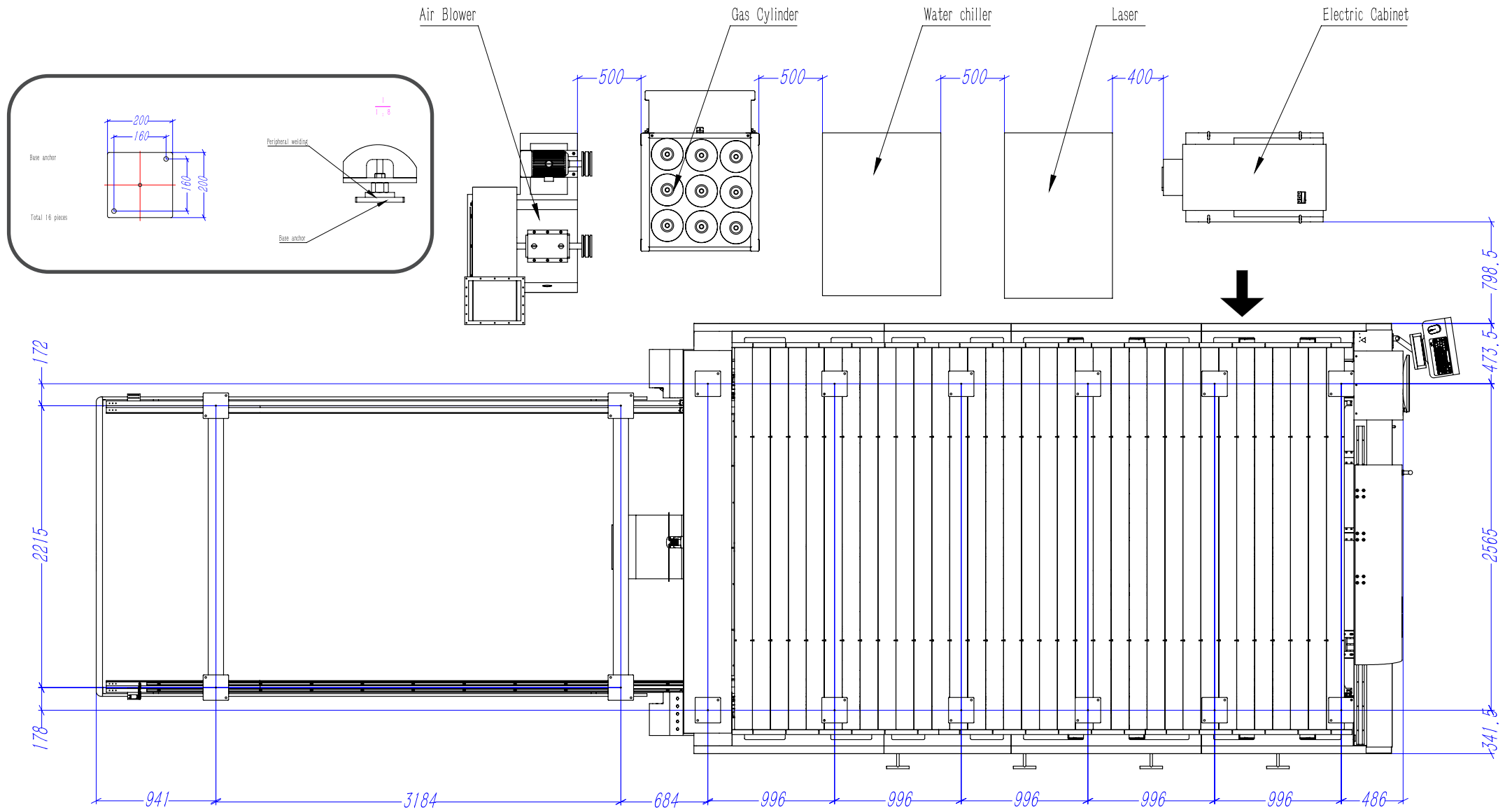
FLOORPLANS - FRONT VIEW (4M X 2M)



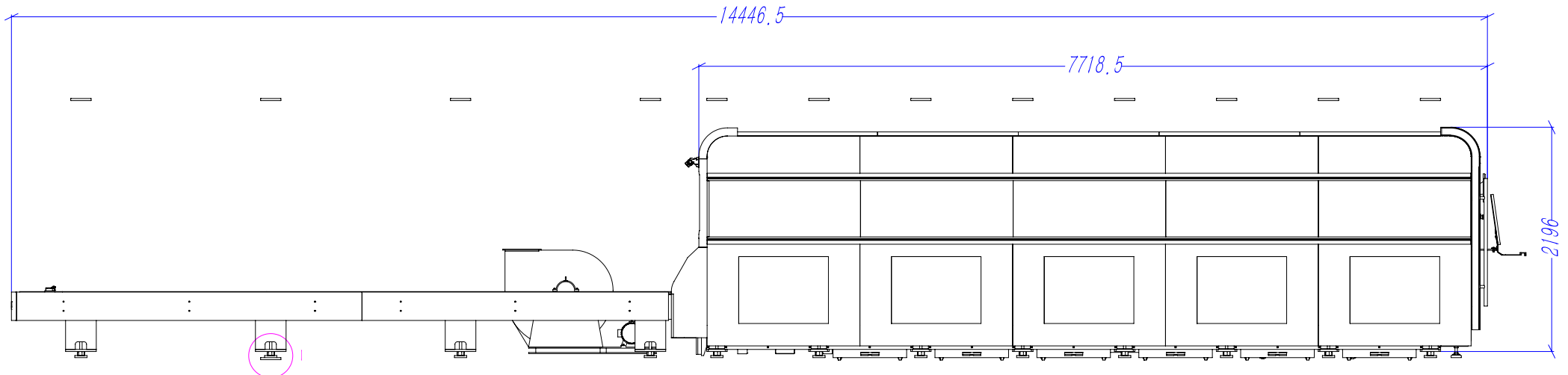
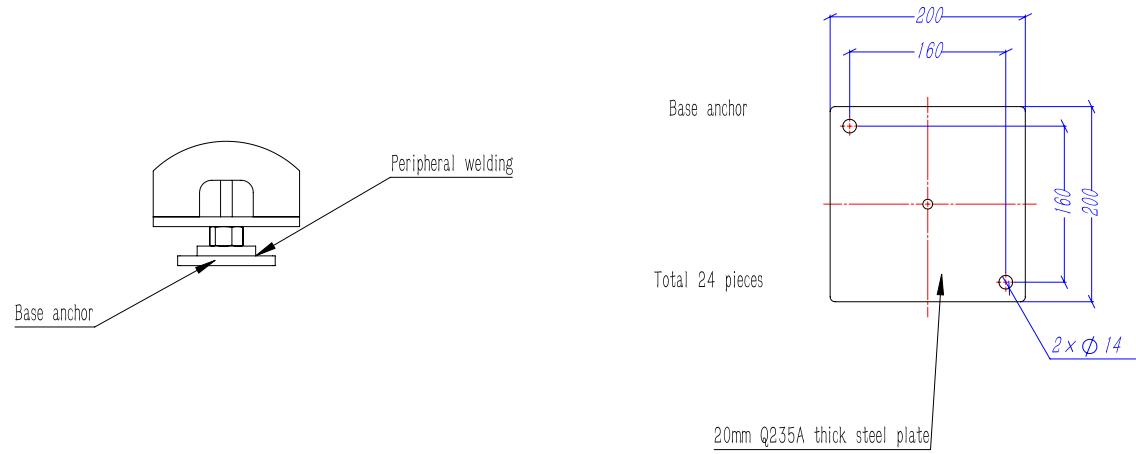
FLOORPLANS - SIDE VIEW (4M X 2M)



FLOORPLANS - TOP DOWN VIEW (4M X 2M)



FLOORPLANS - SIDE VIEW (6M X 2.5M)



FLOORPLANS - TOP DOWN VIEW (6M X 2.5M)

