

SELMACHTM
MACHINERY

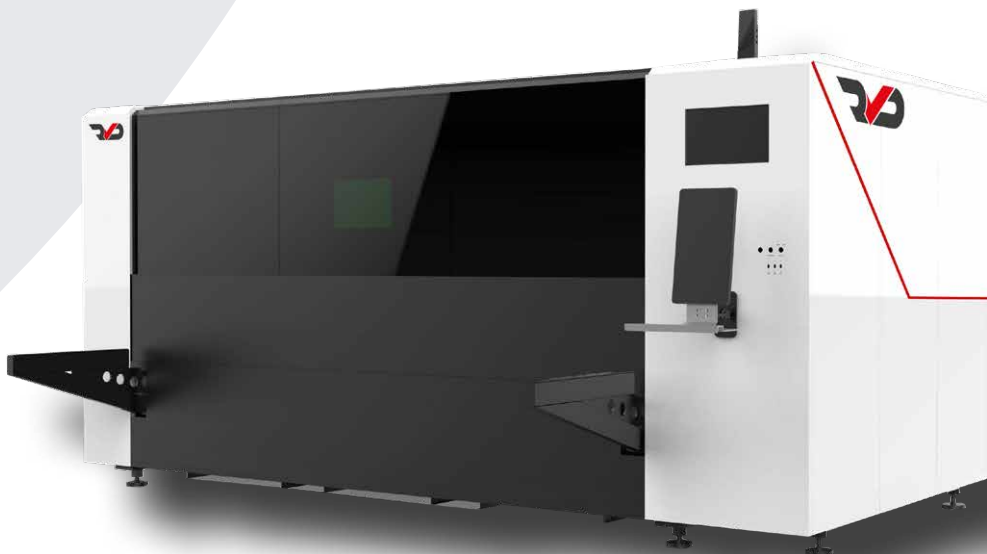
Making Metal Work

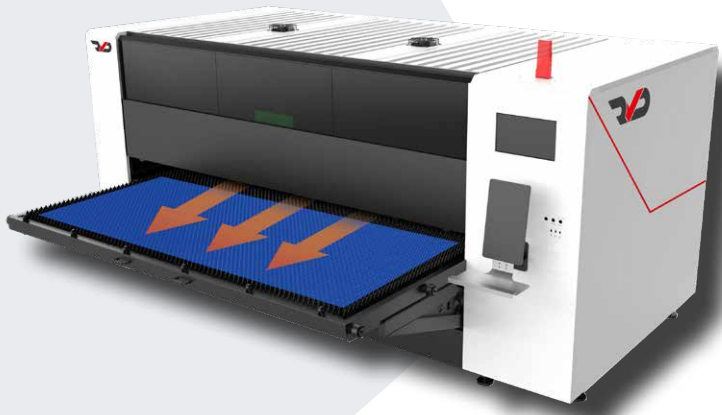


ER SmartFibre CNC Laser

The RVD ER compact range have a simple and easy to use pull out drawer tray system which enables easy loading and unloading of material but also easy access to the collecting of cut parts.

The RVD ER Compact Laser is a great entry-level machine, manufactured using the world's leading mechanical and electrical components to maximise production but also to minimise downtime due to part failure. The RVD laser has a full enclosure design meeting CE standards resulting in radiation safe production. High precision motors and heavy duty driving systems ensure reliability, cutting accuracy and consistency.





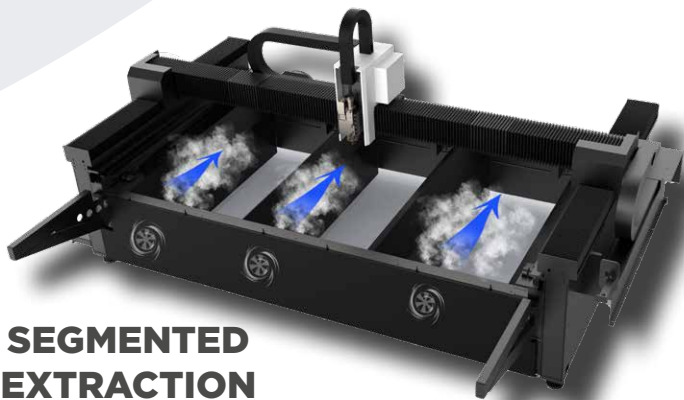
PULL-OUT TABLE SYSTEM

Machine Features

- Compact Size
- RayTools Auto focusing cutting head
- Full radiation protection enclosure
- Gantry system run on heavy duty linear rails with quality servo motor
- Removable draw system for small part removal and scrap clearing
- Segmented Smoke Extraction
- Max Photonics Laser Source
- Cypcut Cutting Software

Optional Equipment

- IPG laser source: A world leading brand manufactured in the USA



SEGMENTED EXTRACTION SYSTEM



RAYTOOLS AUTOFOCUS CUTTING HEAD

TECHNICAL SPECIFICATIONS

MODEL	RVD-ER
Laser Power	3 or 6kW
Laser Source	Max Photonics / IPG YLR
Processing Surface (L x W)	3000 x 1500mm
CNC Control	CypCut
Laser Head	RayTools Switzerland
Power Supply	415v (3 phase)
Position Accuracy X, Y and Z Axis	±0.03mm
Repeat Position Accuracy X, Y and Z Axis	±0.02mm
Maximum Position Speed of X and Y Axis	100m/min
Maximum Cutting Speed of X, Y and Z Axis	80m/min
Maximum Acceleration	1.2g
Max Load of Table	500kg
Length	4,700mm
Width	3,340mm
Height	2,450mm

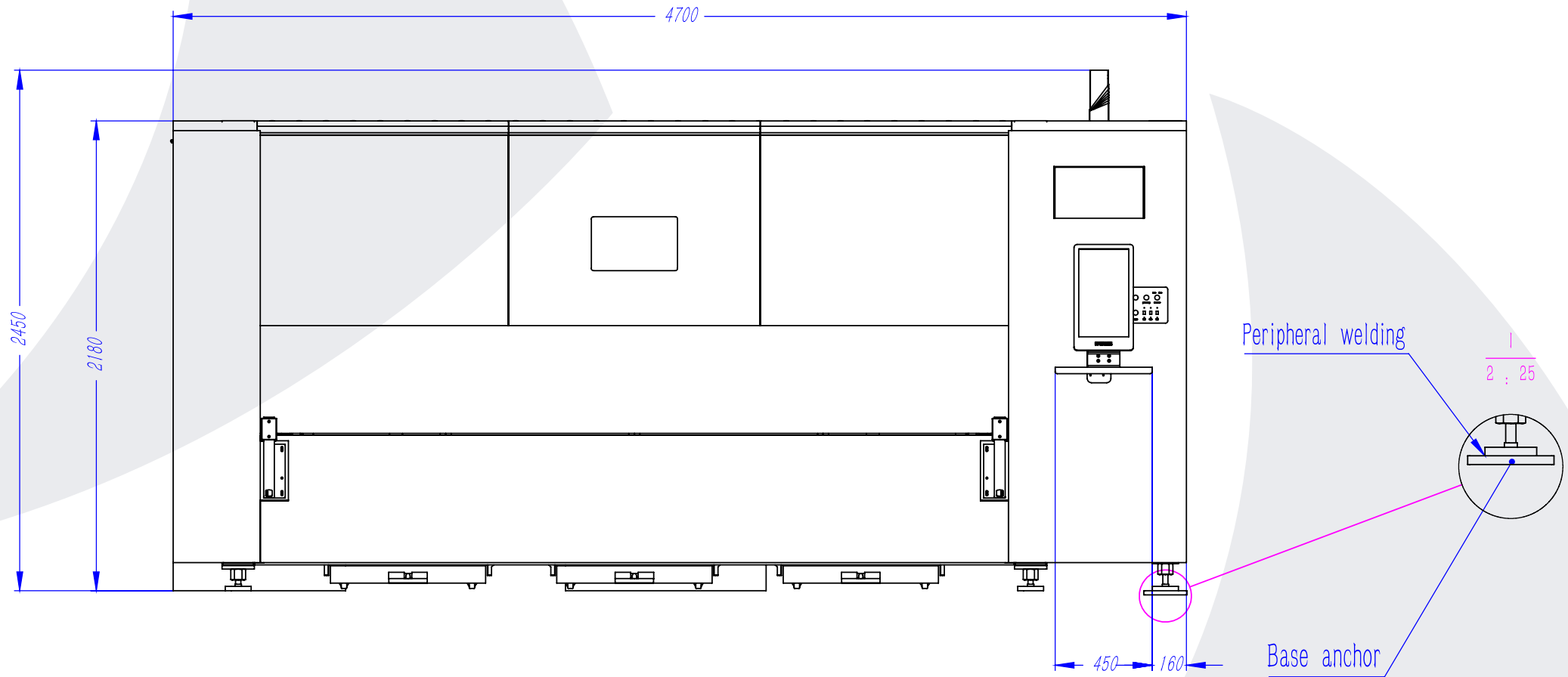
FIBRE LASER POWER - CUTTING CAPACITIES

Material	Gas		3kW	6kW
Mild Steel	O ²	mm	18	25
Stainless Steel	N ²	mm	10	16
Aluminium	O ²	mm	8	16

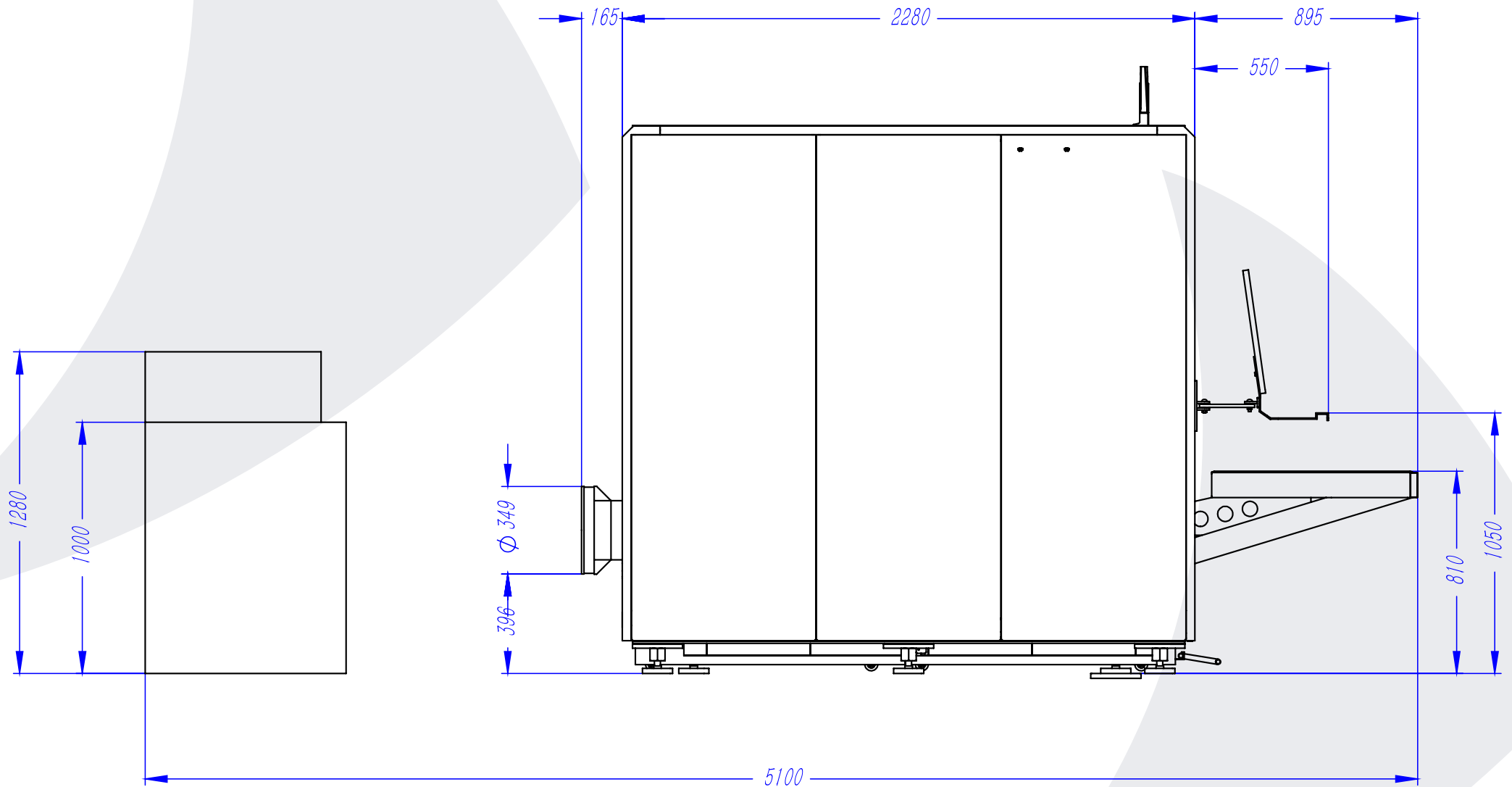
5.5KW EXTRACTION SYSTEM



FLOORPLANS - FRONT VIEW



FLOORPLANS - SIDE VIEW



FLOORPLANS - TOP DOWN VIEW

