



Hydraulic Series Tapping Machine

Meyer GT 16H, 24H, 36H Tapping Machines are models with tapping capacity between M5-M36. They provide a wide working area thanks to the arm structure which can be opened up to 2050mm in radius.

Thanks to their spinning heads, they have horizontal and vertical tapping properties. By using this feature in the GT models, which have the piston hardness adjustment feature, you can adjust the hardness and softness of the acrobatic arm to your needs.

Thanks to the safe tap holders you will use with Meyer 16H, 24H, 36H Hydraulic Tapping Machines, you can find a solution to the problem of taps breaking and at the maximum rpm possible, you can get maximum efficiency from your operations in minimal time.



GT24H

**WATCH THE
MACHINE IN
ACTION**



Machine Features

- High speed hydraulic tapping
- Heavy construction with integrated table and base
- Articulated tapping arm with adjustable balancing
- Vertical or horizontal tapping
- Tee slot table design
- Variable tapping speed
- Coolant system
- Quick release tapping collet chuck with clutch
- Set of tapping collets (M5, M6, M8, M10, M12, M16, M18, M20, M22, M24, M27, M30, M33, M36 - up to max capacity)
- Integrated collet storage
- Heavy duty castors for easy manoeuvrability

Optional Equipment

- PLC Control with 100 Programmes
- Digital Read out for Tapping Speed
- Tapping Depth Detection



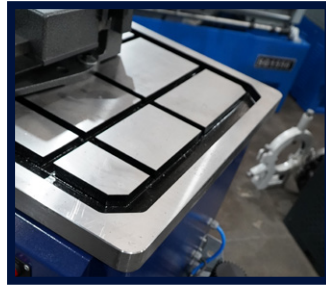
Vertical & Horizontal Head System



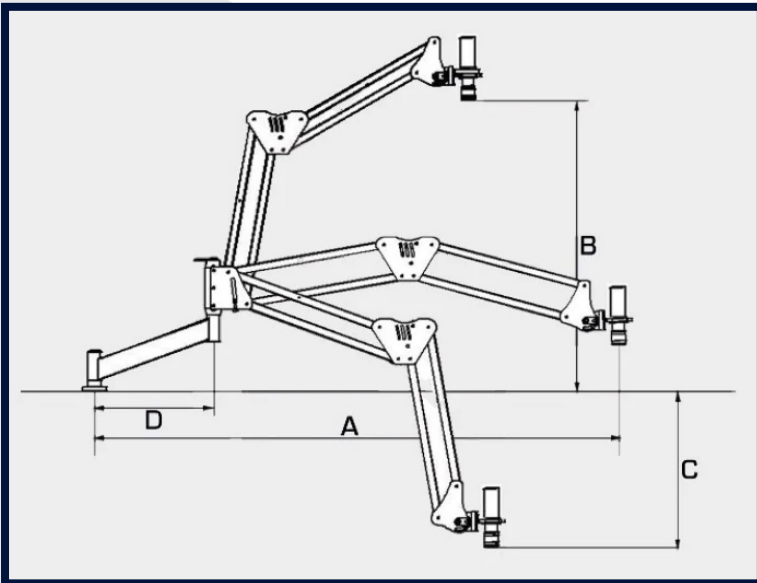
Integrated Holder for Tapping Bits



Tapping Depth Detector (Optional)



T-Slot Table (Optional)



Magnet for Adjustment Head Position



TABLE FOR ALL MODELS MEASURES 700 (W) X 900 (L) X 900 (H)

TECHNICAL SPECIFICATIONS

MODEL		GT16H	GT24H	GT36H
Tapping Capacity in Steel Metric	M	M5 - M16	M5 - M24	M5 - M36
Speed	RPM	0 - 600	1st Stage 0 - 600 2nd Stage 0 - 150	0 - 125
Working Area Radius	mm	2050	2050	2050
Power	kW	3	3	5.5
Arm Operating Measurements	A	2050	2050	2050
	B	1000	920	920
	C	600	700	700
	D	500	500	500
Operating Pressure	bar	60 - 100	60 - 100	60 - 120
Weight	kg	250	260	270