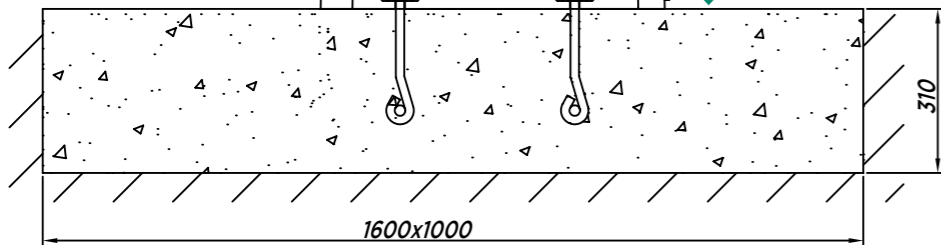


Max Head Height
1330mm
(Bottom of Drill Head to top of base plate)

Max Table Height 1055mm
(Top of table to top of base plate)

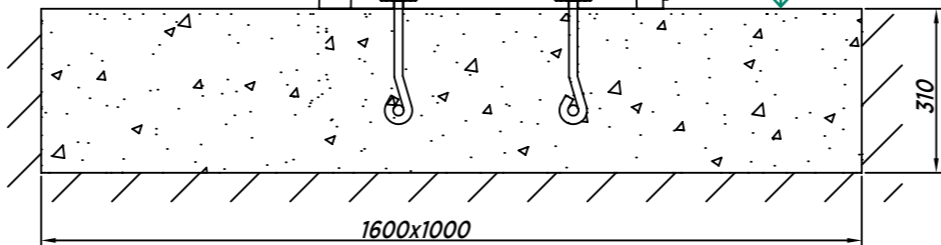
Base Plate Height
125mm
(Top of base plate to floor surface)



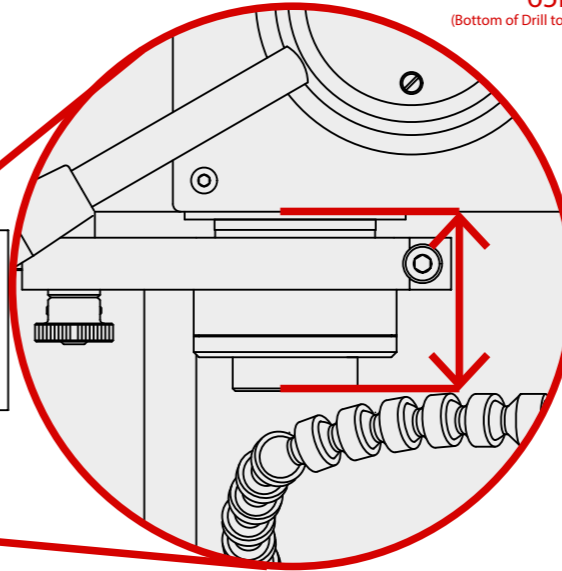
Min Head Height
1050mm
(Bottom of Drill Head to top of base plate)

Min Table Height 565mm
(Top of table to top of base plate)

Base Plate Height
125mm
(Top of base plate to floor surface)



Spindle Depth
65mm
(Bottom of Drill to Bottom of Spindle)



360 degree rotational motion of drilling head and work tables - centered around the column

Throat Depth 320mm

