



Morgan Rushworth PL Extraction Unit

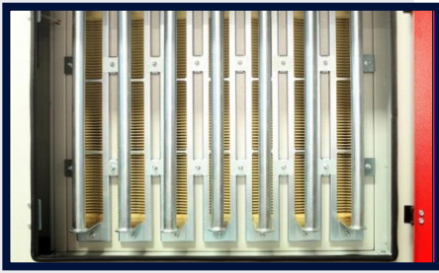
PL-Series filter units are specifically designed for extraction and dedusting of dust, fume and smoke generated during plasma, laser and OXY cutting operations. Plasma and laser cutting applications requires special design and unique features which cannot be satisfied by regular dust collectors.

Morgan Rushworth SM Compact Filter Unit



Machine Features

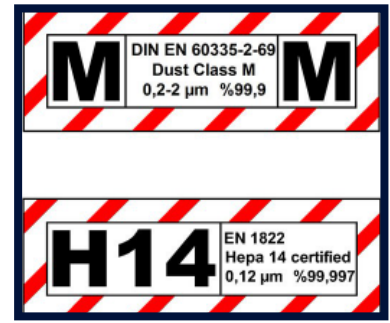
- Filter Efficiency: HEPA14 certified acc. To EN 1822 standard – Filter Efficiency Over 99,997% of 0,12 micron particles. Filtration degree exceeds MERV 16 rating.
- Filter Life time: Average 20 000 h state-of-the-art filter lifetime above industry standards with cutting edge filter design, media and cleaning system.
- Filter Cleaning: K-type fully automatic Differential Pressure (ΔP) controlled with high efficiency solo jet-pulse cleaning.
- Pressured Air Input: min.6 bar / 87 PSI (Reduced to 4,5 bar / 65 PSI internally with built-in regulator)
- Sound level: Extreme Low sound level below ≤ 69 dB(A) with built-in silencer after fan.
- Operation Mode: Panel Operation and slave mod (with NO relay connection from parent) as standard.
- Output Signals: Digital Motor Fault, Normal Operation and
- Low Air Flow Signals
- Dust Bin: Easy to Handle locking mechanism 80 to 160-liter capacity.



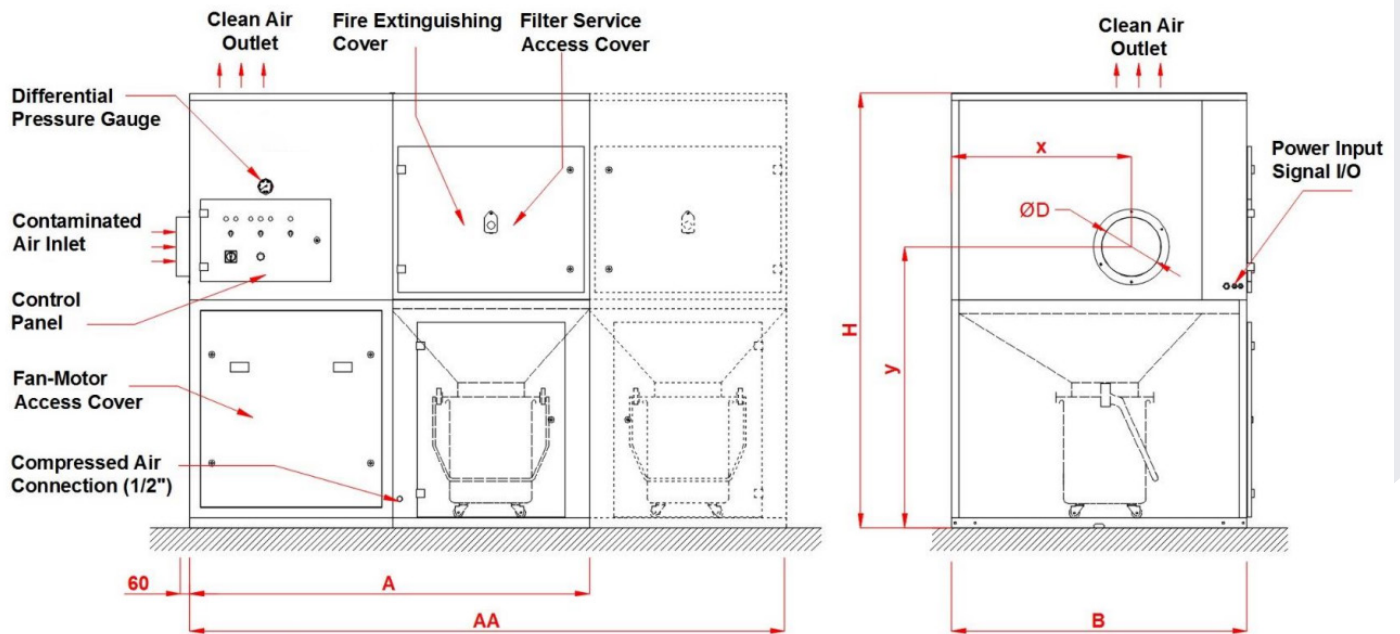
**JET-PULSE CLEANED
PANLE FILTERS ARE
H14 CERTIFIED.**



**EASY SUDT BIN
MECHANISM**



**INTERNATIONAL
CERTIFICATION**



TECHNICAL SPECIFICATIONS

MODEL		PL-1000	PL-1500	PL-2000	PL-2500	PL-3000	PL-4000	PL-5000	PL-6000	PL-8000	PL-10000	PL-12000
Capacity	CFM	590	885	1180	1470	1770	2360	2950	3540	4720	5900	7080
Motor	kw	1.5	2	3	4	4	5.5	5.5	7.5	7.5	11	14.5
Fan Pressure	Pa	3000	2950	3000	3300	2900	3100	2750	2950	2300	2600	2850
Filter Area	m ²	20	25	35	40	57	66.5	85	95	133	152	171
A	mm	1844	1844	1958	2083	1887	2012	2260	2385	-	-	-
AA	mm	-	-	-	-	-	-	-	-	3005	3381	3632
Depth (B)	mm	1260	1260	1260	1260	1514	1514	1514	1514	1514	1514	1514
Height (H)	mm	1842	1842	1842	1842	2189	2189	2189	2189	2189	2189	2189
OD	mm	150	160	200	220	250	300	300	350	400	450	450
Dust Bin	litre	21	21	21	21	21	21	21	21	42	42	42
Duct Depth (x)	mm	757	757	757	757	902	902	902	902	902	902	902
Duct Height (y)	mm	1199	1199	1232	1232	1232	1420	1420	1420	1420	1420	1420
Weight	kg	450	470	490	525	575	602	699	795	925	1020	1160



Morgan Rushworth KAB Extraction Unit

KAB Filter units are specially designed for dedusting of welding fume, smoke and dust at manual or robotic welding stations. Ready-to-operate (plug-n-play) with filters, integrated fan, control panel and automatic jet pulse cleaning. KAB Series with W3 certification acc. to EN ISO 15012 standard, is used in any welding process including stainless steel welding.



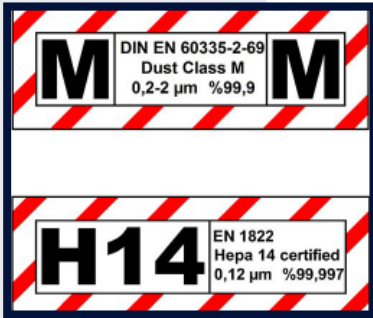
**Morgan Rushworth
KAB Filter Unit**

Machine Features

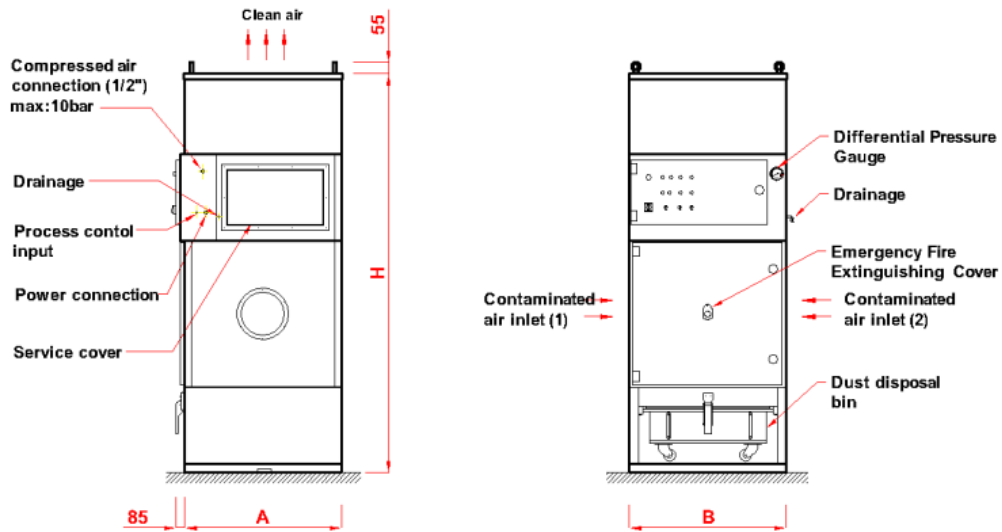
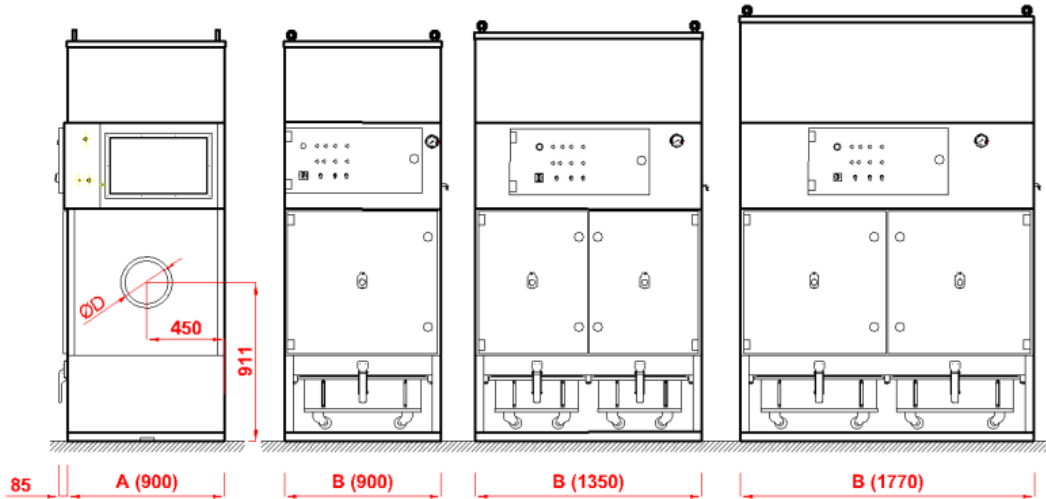
- Low consumption of pressured-air with ΔP controlled automatic jet-pulse cleaning.
- Automatic start and stop synchronous with the operation. Fault signal sharing.
- Visual real-time dust level control of filter elements via manometer.
- Automation is implemented with simple control panel with worldwide available components.

Machine Options

- OPTIONAL-VFD driven and automatic PID pressure transmitter fan speed control for energy saving.



INTERNATIONAL CERTIFICATION



TECHNICAL SPECIFICATIONS

MODEL		KAB-42	KAB-43	KAB-44	KAB-62	KAB-63	KAB-64	KAB-65	KAB-82	KAB-83	KAB-84	KAB-102	KAB-103	KAB-104	KAB-122	KAB-123
Capacity	m ³ /h	1700-2800	1700-2800	1700-2800	2520-4200	2520-4200	2520-4200	2520-4200	3360-5600	3360-5600	3360-5600	4200-7000	4200-7000	4200-7000	5000-8400	5000-8400
Fan Pressure	Pa	2330	3200	4250	2140	2850	3900	5300	2140	2930	4000	2350	3200	4700	2500	3700
Motor	kw	2.2	3.0	4.0	3.0	4.0	5.5	7.5	4.0	5.5	7.5	5.5	7.5	11.0	7.5	11.0
Filter Surface	m ²	28	28	28	42	42	42	42	56	56	56	70	70	70	84	84
A x B	mm	900 x 900	900 x 900	900 x 900	900 x 950	900 x 950	900 x 950	900 x 950	900 x 1350	900 x 1350	900 x 1350	900 x 1770	900 x 1770	900 x 1770	900 x 1770	900 x 1770
Height (H)	mm	2268	2268	2298	2268	2268	2331	2331	2282	2349	2349	2368	2368	2449	2368	2449
Dust Bin	mm	1 x 100	1 x 100	1 x 100	1 x 100	1 x 100	1 x 100	1 x 100	2 x 70	2 x 70	2 x 70	2 x 100	2 x 100	2 x 100	2 x 100	2 x 100
OD	mm	200	200	200	250	250	250	250	280	280	280	315	315	315	355	355
Weight	mm	392	395	405	403	413	424	435	524	535	539	546	551	618	558	625



Morgan Rushworth SM Extraction Unit

SM – Series filter units are designed for dedusting of dry dust, generated during various industrial operations (i.e. welding, mixing etc.) With Dust Class M standard cartridge filters, the filtered-clean air can be returned back to the workshop. This prevents heat loss and ensures environment friendly and healthy application.



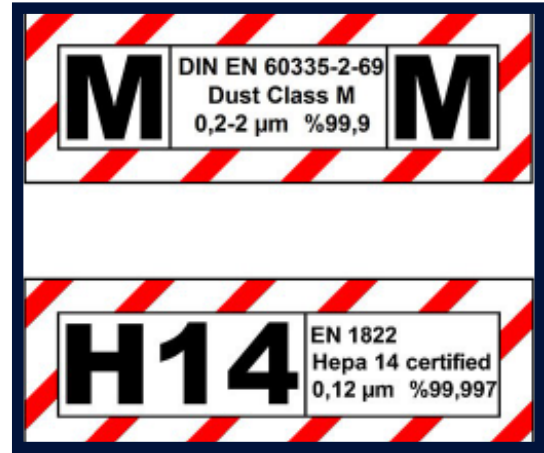
**Morgan Rushworth SM
Compact Filter Unit**

Machine Features

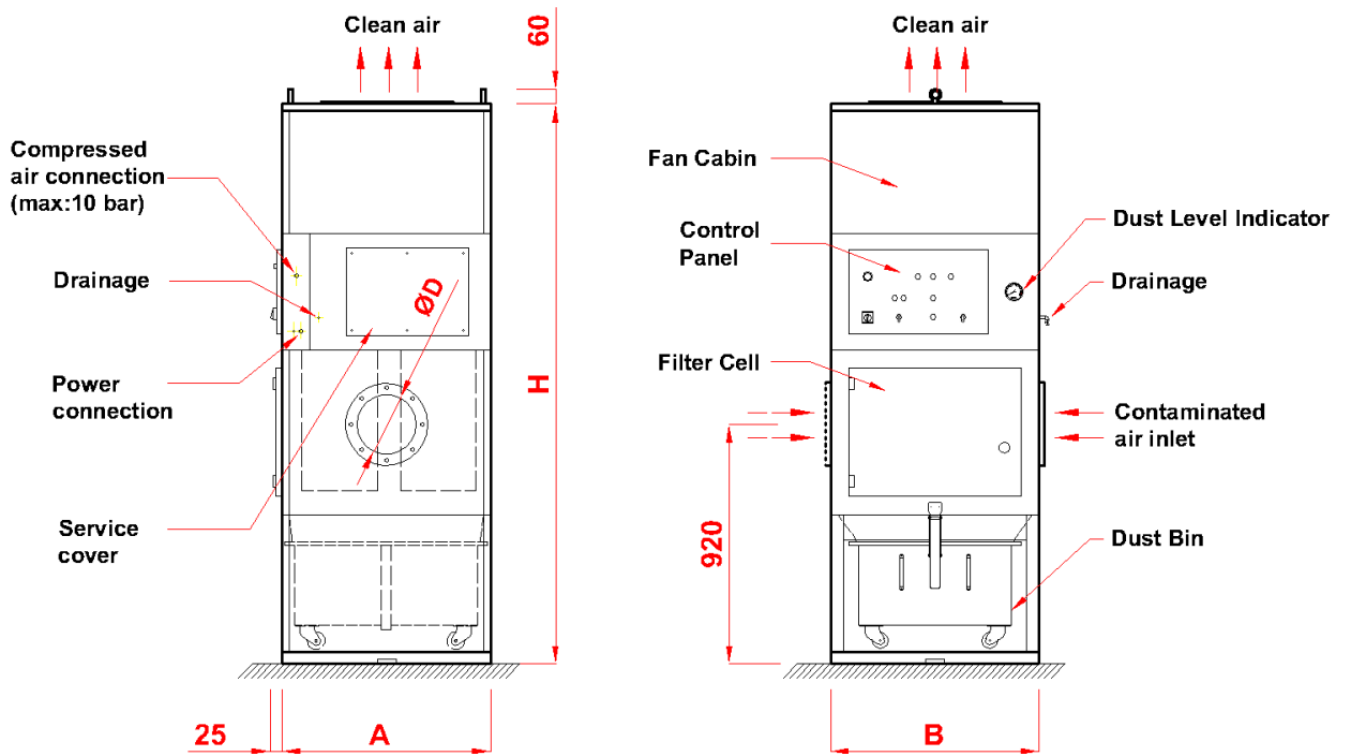
- High filtration efficiency with Dust Class: M certified (acc. to EN60335-2-69) filter elements which arrests 0,2-2 micron particles with 99,9% efficiency.
- Maximum operational safety with fully integrated control panel and internal electrical wiring.
- Visual real-time dust level control of filter elements via colored manometer.
- Depending on various industrial operations, SM – filter units can be equipped with optional Aluminum coated, ePTFE Teflon membrane, Flame Retardant Polyester and Stainless steel construction Propylene nonwoven filter elements, on request.
- Average 10000-15000 working hour lifespan with effective reverse jet pulse cleaning.
- The light-weight fan impellers are made of aluminum, which ensures long motor life-time.
- High efficient, backward curved fans confirming ERP 2015 with G2.5 balance grade (static and dynamic) are direct coupled to motors.
- OPTIONAL-Automatic PID control with pressure transmitter regulated VFD (Variable Frequency Drive) for fan speed control ensures energy saving with optimum performance.



**EASY DUST BIN
MECHANISM & BIG
VOLUME DUST BIN**



**INTERNATIONAL
CERTIFICATION**



TECHNICAL SPECIFICATIONS

MODEL		SM-1500	SM-2200	SM-3000
Capacity	M ³ /h	1500	2200	3000
Fan Pressure	PA	2300	2300	2300
Motor	kw	1.5	2.2	3.0
Filter Area	m ²	20	30	40
Dust Bin	litre	100	130	130
A x B	mm	650 x 800	840 x 800	840 x 800
Height (H)	mm	2138	2156	2200
OD	mm	160	200	250
Weight	kg	211	242	258