

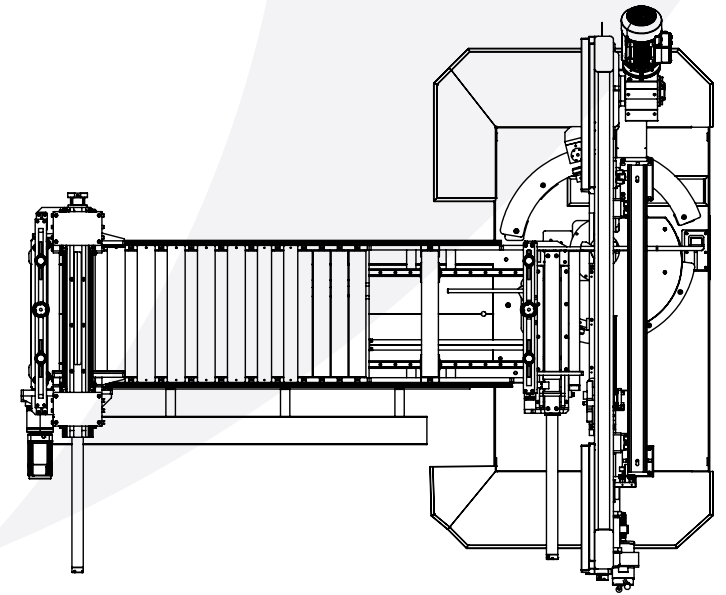
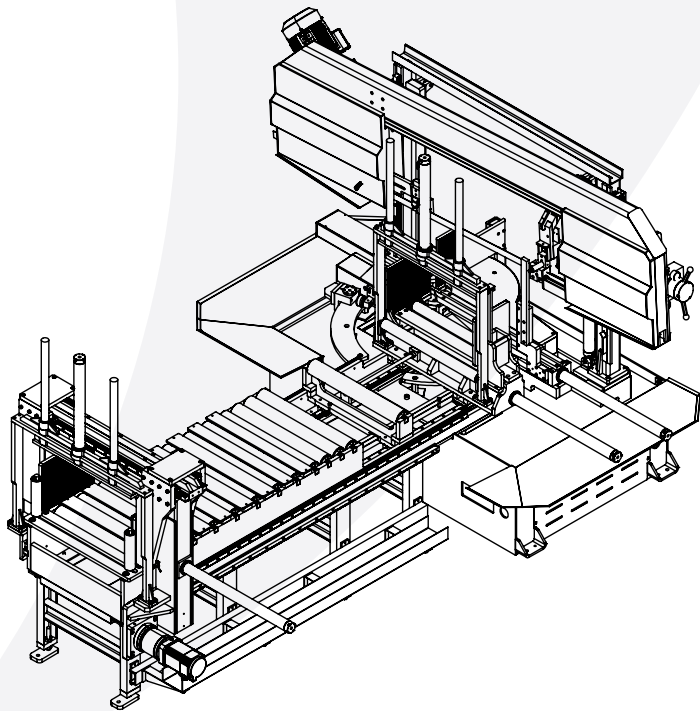
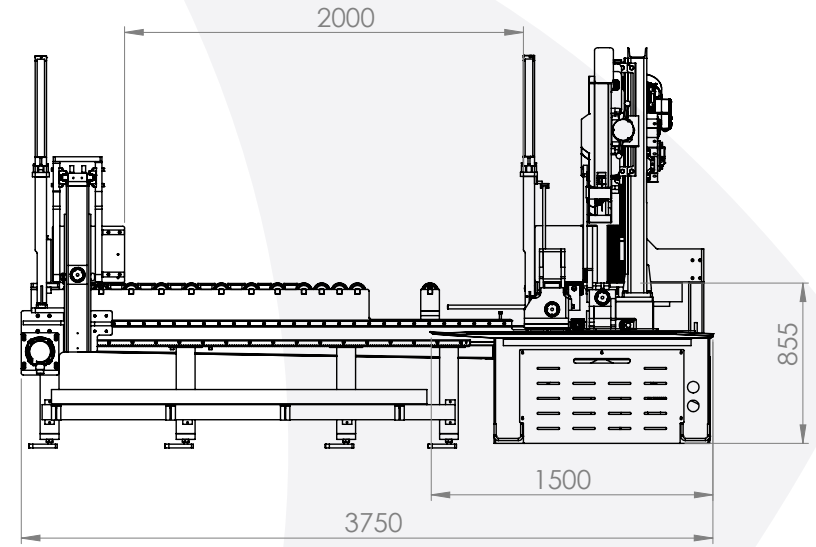
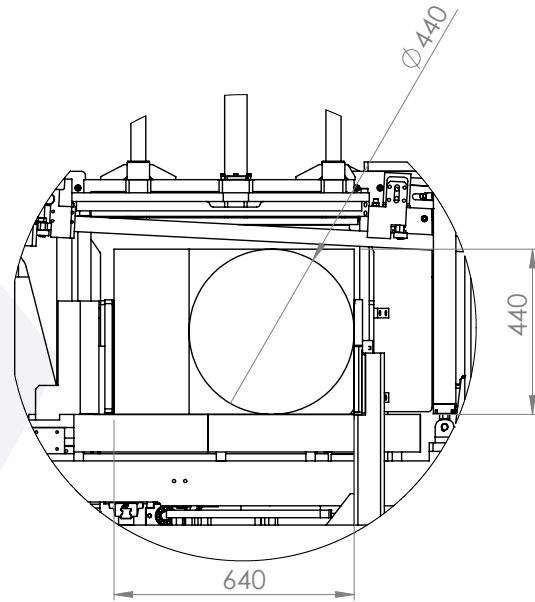
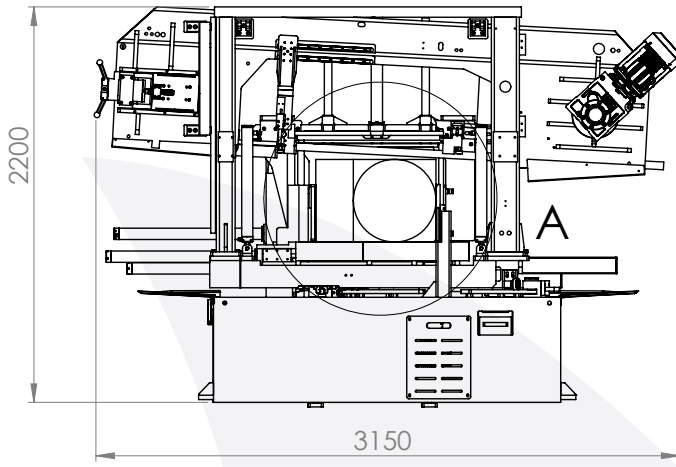
*Shown with optional guarding rails

**Sterling STC 440
DGAS CNC Floorplan
(2.0m Stroke)**

STERLING

SELMACH
MACHINERY

Making Metal Work



**Sterling STC 440
DGAS CNC Floorplan
(2.0m Stroke)**

STERLING

SELMACH
MACHINERY

Making Metal Work