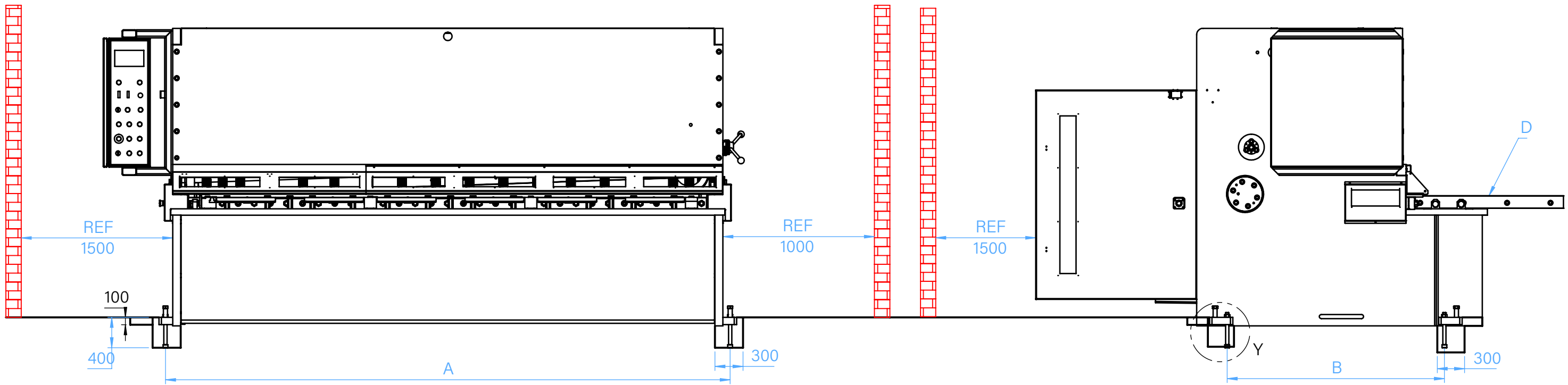


# BHGS INSTALLATION DIAGRAM



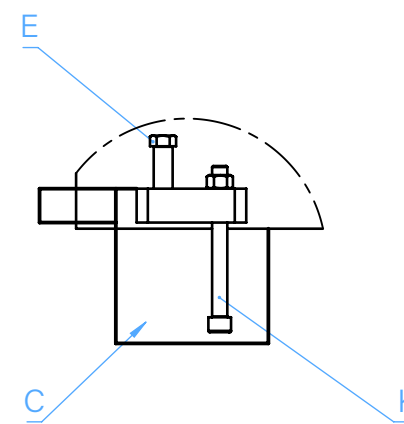
NO	TYPE	A	B	E
1	BHGS 3100X6	3420	1360	G1"X100
2	BHGS 3100X10	3510	1350	G1"X100
3	BHGS 3100X13	3540	1500	G1"X100
4	BHGS 3100X16	3510	1580	G1-1/4"X105
5	BHGS 3100X20	3570	1800	G1-1/4"X105
6	BHGS 4100X10	4460	1690	G1"X100
7	BHGS 4100X13	4490	1690	G1"X100
8	BHGS 4100X16	4505	1680	G1-1/4"X105

C: CONCRETE SPECIFICATION  
(BS 25) D: SIDE SQUARING  
ARM

1. ALTERNATIVE: Use Hook Detail K as shown.
2. ALTERNATIVE: In case concrete floor thickness is minimum 200 mm steel expansion insert in place of hook.

## DETAIL K

Material: SAE  
1040 Quantity: 4  
DIMENSIONS :  
(mm)



DETAIL (1 : 10)

