



H-Frame Press HFP

The HFP H frame press is ideal for a whole variety of bending, forming, pressing, straightening and a whole variety of operations. The hydraulic system is equipped with a manometer and a joystick lever to control the operation. A pair of V blocks are supplied as standard equipment.

The H-Frame press range is an economical alternative to a press brake, highly versatile and capable of a wide range of jobs and tasks.



HFP 1070-100

Machine Features

- Easily adjusted bed height with two hardened pins
- Bed designed to accept a variety of supports and jigs according to customer requirements
- Quiet hydraulic system
- Hydraulic cylinder mounted above providing vertical pressure
- Ideal for low or high volume operation.

Optional Equipment

- Digital Read Out
- Limit Switch
- Hand Pump
- Foot Pedal Control (instead of joystick)
- Foot Pedal Control with Limit Switch (instead of joystick)



JOYSTICK CONTROL



DIGITAL READ OUT (OPTIONAL)



HAND PUMP (OPTIONAL)



FOOT PEDAL CONTROL (INSTEAD OF JOYSTICK) (OPTIONAL)



EASILY ADJUSTABLE BED HEIGHT



HFP 775-30 AND HFP 1040-60



HYDRAULIC PRESSURE GUIDE & ADJUSTMENT

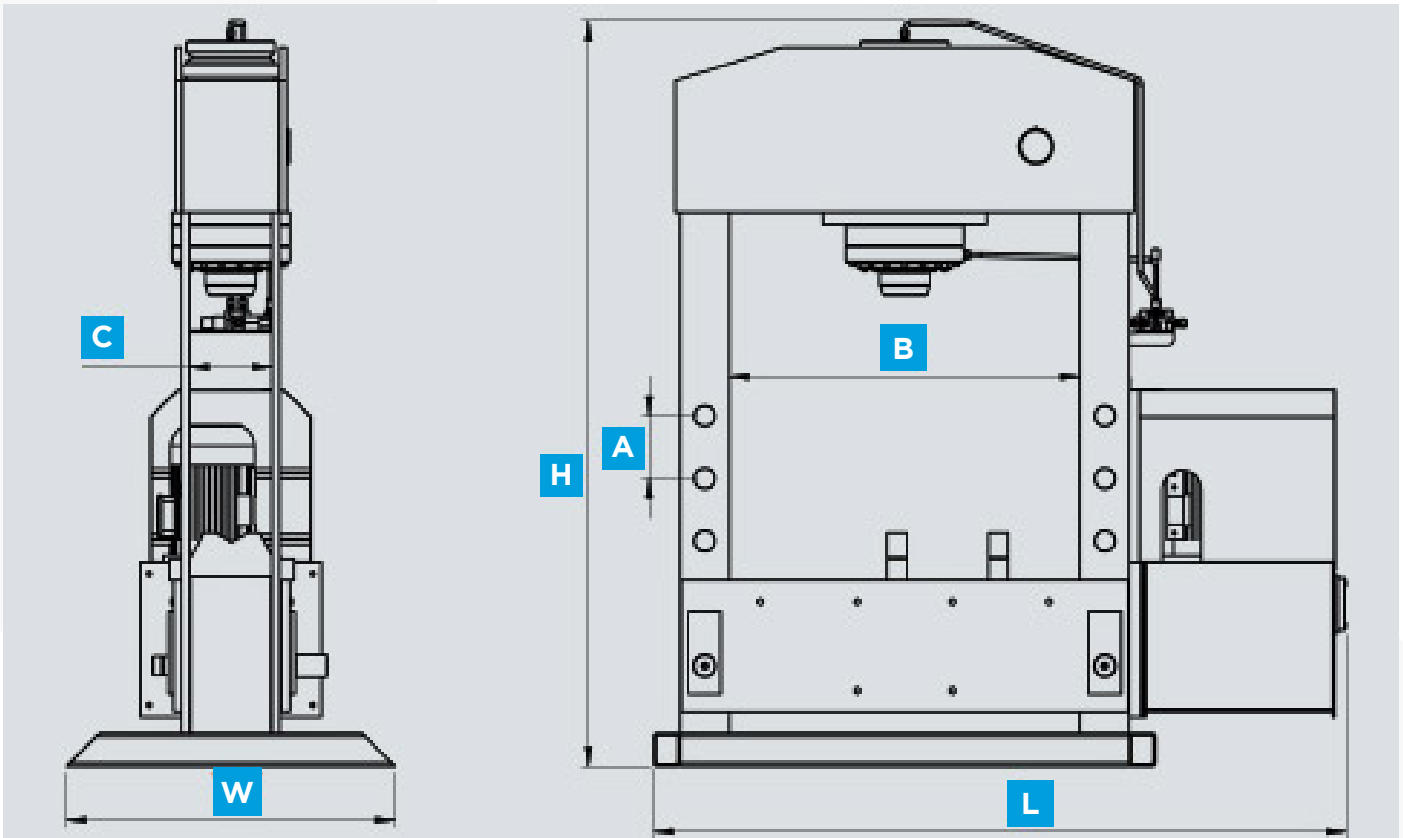
WATCH THE MACHINE IN ACTION



TECHNICAL SPECIFICATIONS

MODEL	Stock Code	Power	Distance between Frames	Stroke	Advance Speed	Working Speed	Return Speed	Motor Power	Length	Width	Height	Weight
		Tonnes	mm	mm	mm/sec	mm/sec	mm/sec	kW	mm	mm	mm	kg
HFP 775/30	M4500	30	775	200	8	5	10	3	1500	700	1800	410
HFP 1040/60	M4501	60	1040	250	8	4	10	4	1850	700	2100	790
HFP 1070/100	M4502	100	1070	300	8	5	10	5.5	2050	1000	2200	1520
HFP 1570/100	M4503	100	1570	300	9	5	10	5.5	2500	1000	2200	1900
HFP 1070/150	M4504	150	1070	300	9	5	10	11	2050	1000	2270	1620
HFP 1570/150	M4505	150	1570	300	9	5	10	11	2500	1000	2270	2150

TECHNICAL SPECIFICATIONS



		775-30	1040-60	1040-80	1070-100	1570-100	1070-150	1570-150
Press Power	kN	300	600	800	1000	1000	1500	1500
Max. Working Pressure	bar	244	236	255	263	263	244	244
Stroke	mm	200	250	250	300	300	300	300
Diameter of Piston Arm	Ømm	125x80	180x120	200x120	220x160	220x160	280x200	280x200
Advance Speed	mm/sec	7.5	8	8	8	8	9	9
Working Speed	mm/sec	5	4	5	5	5	5	5
Return Speed	mm/sec	10	10	10	10	10	10	10
Motor Power	kW	3	4	5.5	5.5	5.5	11	11
A Hole Distance	mm	165	165	165	190	190	190	190
B Working Area	mm	775	1040	1040	1070	1570	1070	1570
C Depth	mm	190	260	260	315	315	360	360
L Length	mm	1500	1710	1810	2110	2630	2110	2630
W Width	mm	700	700	750	1000	1000	1000	1000
H Height	mm	1800	2100	2100	2430	2430	2480	2480
Weight	kg	400	800	835	1500	1600	1870	2100